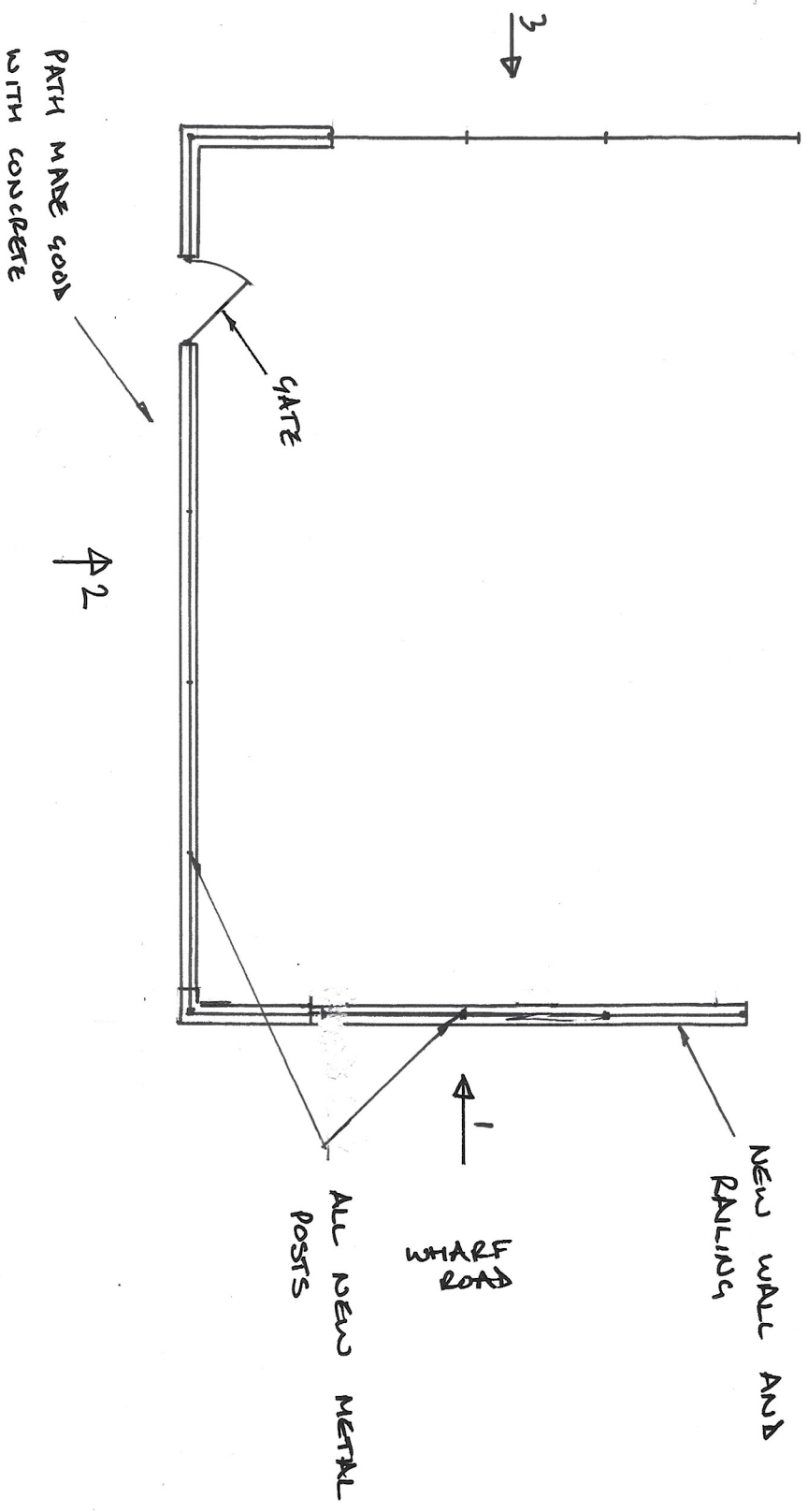



FOR ELEVATIONS SEE
DC9 WRT/MJB 18,19,20



REV 3 - PIERLS REMOVED FROM
WHARF ROAD WALL
REV 2 - REDRAWN

Inland Waterways Association 	Title: Wendover Canal Trust	Scale: 1:100	Drawn by: M Bradley	Rev: 03
	Wharf Road Compound: Plan	Drawing Number: WCT/MJB 17		